

BHR7

middle range hydraulic door-opener unit

technical data sheet

LIBERVIT
manufacturer



LIBERVIT **BLACKline**

for Police & Gendarmerie
special forces

LIBERVIT **DÉFENSE**

for military forces

From a general point of view, even the highest performance equipment will not by itself solution all the situations.

It does not completely cancel the risk encountered by the special units' users on an operation.

As a manufacturer we OWE to ourselves and to the users to give priority to quality, reliability, performance and innovations.

We will never be confronted to front line situations but you on the other hand are facing them daily in France or elsewhere around the world and sometime while using one of our tools.

It is at this very moment that our choice of components, raw material to manufacture the tools that you are using, at this very moment when you are about to give the "GO ahead" that the equipment must prove itself failproof!

Internationally, France benefits from a strong reputation in the fields of security at the operational knowhow level as much as in the equipment manufacturing.

At LIBERVIT, we are experienced technicians, our professional ethic is unwavering and above all we know and respect those using our products and because of this close relationship we have considered their insights and suggestions in the making of our tools.

We pride ourselves in manufacturing French. All the labelled equipment that you had, have or will have in your hands, are made in France with more than 90% of components and raw materials of French origin or from close European Union countries such as Germany, Norway and Italy.

Our 25 years in the design and manufacturing of hydraulic and mechanical tools with land and water applications for the army and police special forces, our seriousness, our professionalism, and our never ended search for innovations has made us a key player within these professional environments.

LIBERVIT is represented in over 60 countries through our specialized Distributors network offering commercial advice, demos, maintenance and after sale service.

All of the LIBERVIT team and myself are available to ensure that none of your question remains unanswered.

We wish you a pleasant read.

Yvan CARDONA, CEO

Quality & Reliability

LIBERVIT will provide, for a minimum of 10 years after delivery, any of its tools' spare parts.
All our equipments comply with CE standard.

Unless otherwise specified by us, our equipments are guaranteed for 3 years from the dispatch date. The guarantee covers construction defects as well as material flaws noted by our services.

Our organization, from engineering to customers' service is ISO 9001 certified. It guarantees a high quality, life-long performance and complete reliability of our tools and equipment.

All our tools undergo rigorous test & control before shipment.





We would like to thank you for the trust you keep showing us every day. LIBERVIT has been and still is extremely proud of manufacturing high quality entry tools and to dedicate its resources to design, developing and sharing experiences with end-users. It honours us to display your insignia, a proof of our long lasting relationship, and it would honour us if you would consider sending us yours to appear in our next edition.

Communication service : communication@libervit.com

HR7- middle range hydraulic door-opener

designed to open PVC, wooden or metal doors,
single or multi-locks opening inward.



HR7



Designed to open PVC, wooden or metal doors, single or multi-locks opening inward, the HR7 hydraulic jack is placed horizontally between the door's vertical frames. A handle on the jack gives a better grip. It has an exclusive telescopic rod system with a "Extend" quick-lock and it can be adjusted in length to reduce installation time in front of the door.

For power supply, the HR7 jack requires either one of the LIBERVIT hydraulic power units or a LIBERVIT hand pump. Two control switches on the tool activate the HR7 jacks.

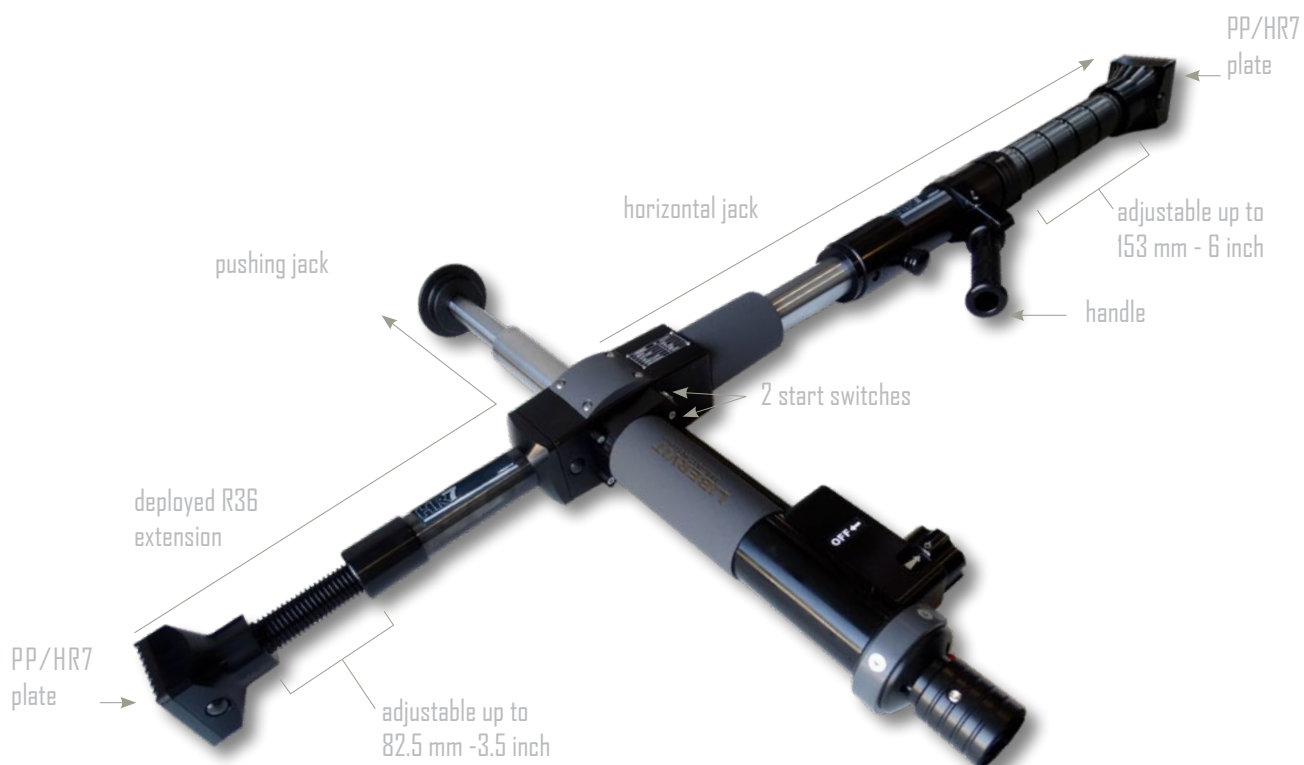
(*tool not self-sufficient needs to be used with a hydraulic power unit or manual pump)



HR7- mid-range hydraulic door-opener

TECHNICAL CHARACTERISTICS

mid-range hydraulic door-opener	ref. HR7	
horizontal jack's thrust	56 kN	
retracted horizontal jack length	670 mm - 26 inch	
deployed horizontal jack length	942 mm - 37 inch	
horizontal jack & R36 extension length	1292 mm - 4.2 ft	
pushing jack 1st stage thrust	71 kN	
pushing jack 2nd stage thrust	28kN	
pushing jack 1st stage stroke	175 mm - 7 inch	
pushing jack 2nd stage stroke	113 mm - 4.5 inch	
total pushing jack stroke	288 mm - 11 inch	
horizontal jack handle	yes	
start switches	yes, qty 2	
available colours	dark grey, black or olive green	
dimensions	670 x 470 x 100 mm - 26.5 x 18.5 x 4 inch	
door-opener and plate pair weight PP/HR7	13.8 kg - 30.5 lbs	
delivered with 3 plates' pair	yes, ref. PP/HR7, PR/HR7, PRL/HR7	
PP/HR7 plate dimensions	74.7 x 72 x 33.5 mm - 3 x 2.5 x 1.2 inch	
Plate weight	520 g - 1.15 lbs	
PR/HR7 plate dimensions	74.7 x 72 x 51.13 mm - 3 x 2.5 x 2 inch	
Plate weight	580 g - 1.28 lbs	
PRL/HR7 plate dimensions	74.7 x 92 x 51.13 mm - 3 x 3.5 x 2 inch	
plate weight	700 g - 1.54 lbs	
delivered with extension	yes, ref. HR80	
dimensions	110 x 72 x 74.7 mm - 4 x 3 x 3 inch	
weight	1 kg - 2.2 lbs	
delivered with extension	yes, ref. R36	
retracted length	265 mm - 10.4 inch	
deployed length	347.5 mm - 13.7 inch	
dimensions	288.5 x 72.5 x 74.75 mm - 11.4 x 2.8 x 3 inch	
weight	1.6 kg - 3.5 lbs	
delivered with tape measure	yes, ref. L3M	
tape length	3 m - 10 ft	
tape width	16 mm - 0.5 inch	
magnetic	yes	
self-locking	yes	
dimensions	70 x 60 x 30 mm - 3 x 2.5 x 1 inch	
weight	11 g - 0.5 oz	
delivered in PELICASE transport case	yes, ref. VDT/HR7 (LIBERVIT BLACKline)	ref. VDT/HR7 (LIBERVIT DEFENSE)
available colours	black	olive green
silica gel cartridge	qty 1, used to prevent humidity	qty 1, used to prevent humidity
dimensions	628 x 498 x 303 mm - 25 x 20 x 12 inch	625 x 500 x 218 mm - 24 x 19 x 8 inch
weight empty	10.4 kg - 23 lbs	6.5 kg - 14 lbs
weight loaded	28.5 kg - 62 lbs	24.6 kg - 54 lbs



HR80 extension



L3M tape measure



×2 plates, ref: PP/HR7



×2 plates, ref: PR/HR7



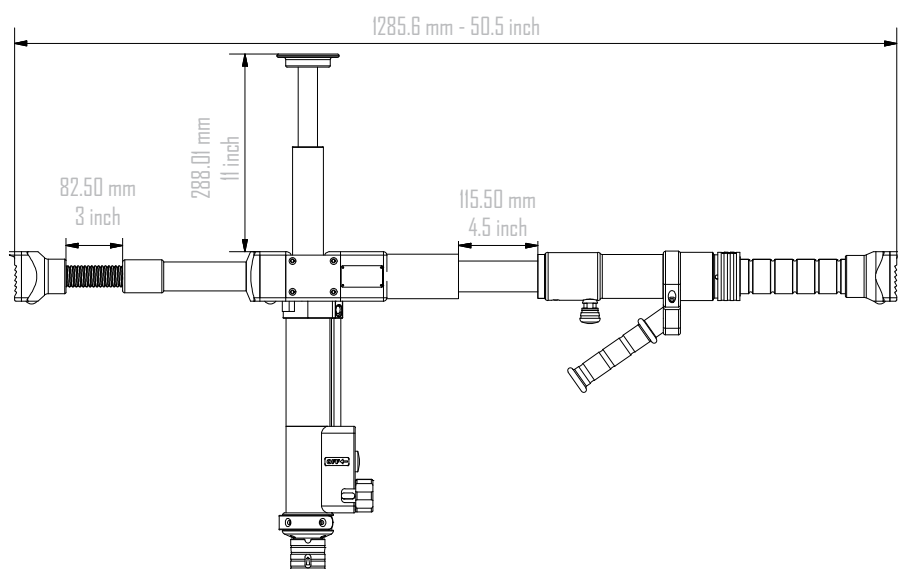
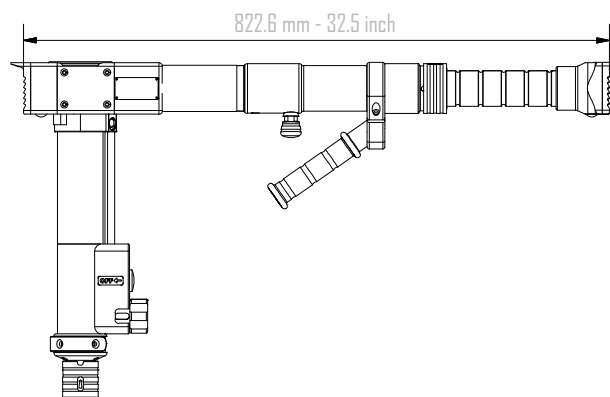
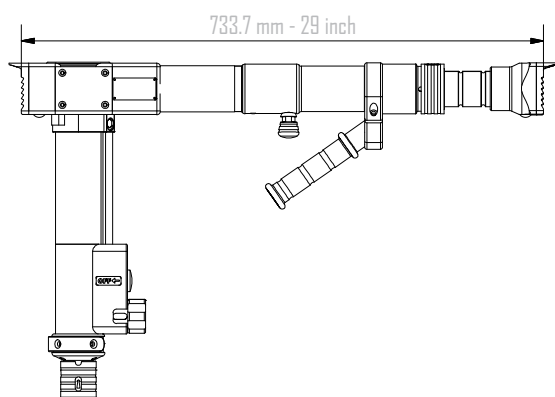
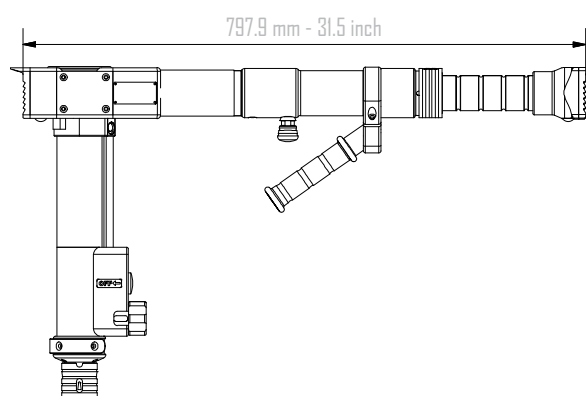
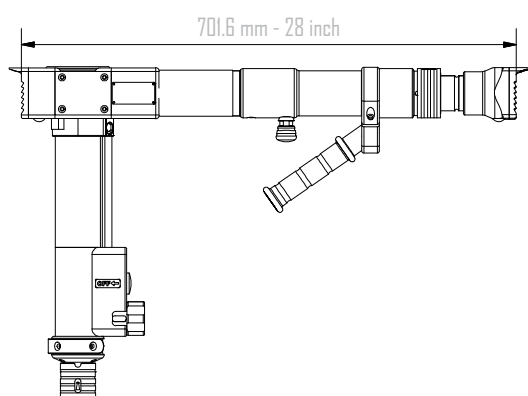
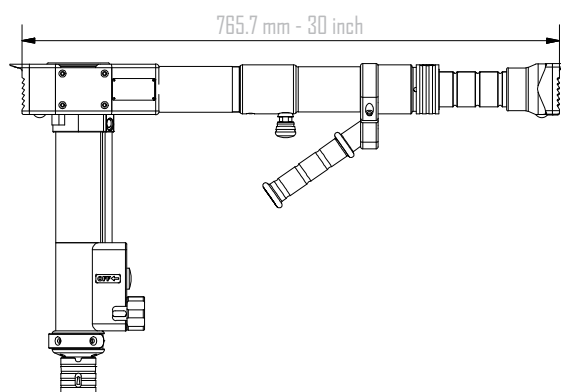
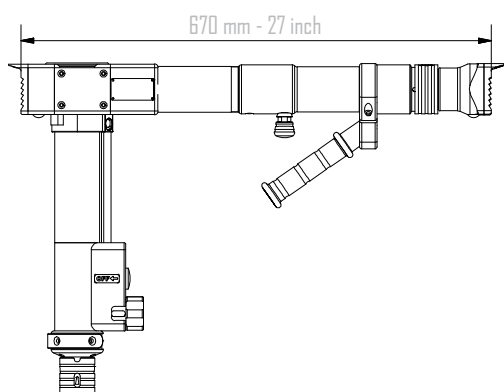
×2 plates, ref: PRL/HR7

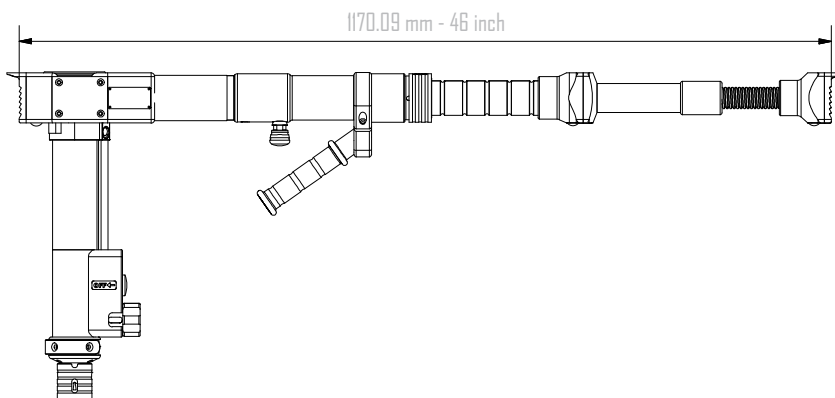
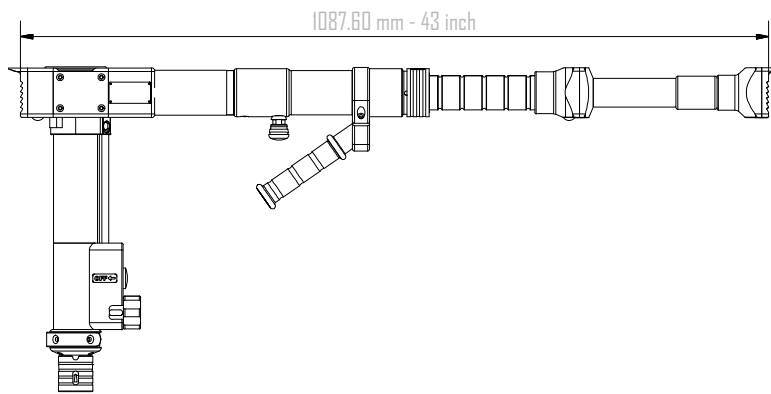
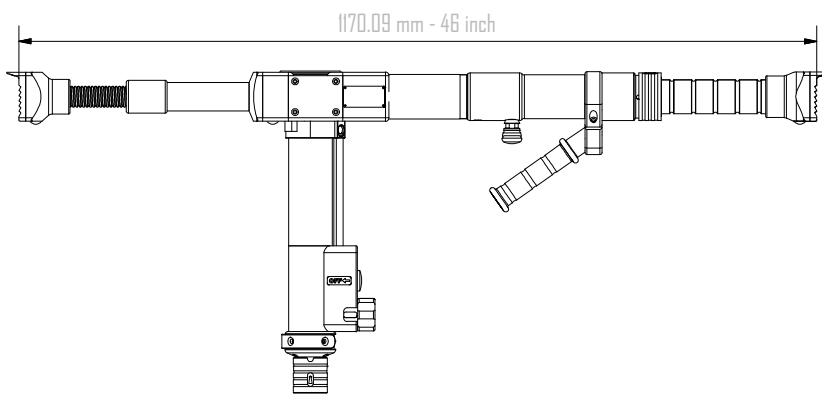
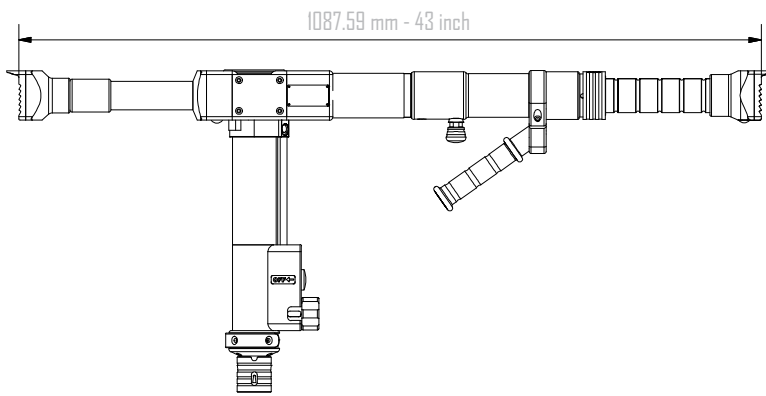


silica gel cartridge
(used to prevent humidity)



HR7 DIFFERENT POSITIONS' DIMENSIONS





HR7 ACCESSORIES - BF - PROTECTION CAP



protection cap
colour
dimensions
weight

ref. BF
black
40 mm x Ø60 mm - 1.5 inch x Ø2.5 inch
60 g - 0.13 lbs

The protection cap BF (female) protects your HR7 hydraulic door opener coupling from shocks and dust. When buying the HR7 the protection cap is an option.

HR7 ACCESSORIES - PX/HR7 extensions

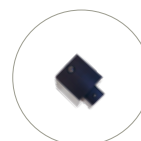
HR7 extension case
delivered in transport case
extensions included
silica gel cartridge
case dimension
weight empty
weight loaded

ref. PX/HR7
yes, ref VDT/PXHR7, case PELICASE
ref. HR80, HR150, HR200
qty 1, used to prevent humidity
406 x 330 x 174 mm - 16 x 13 x 7 inch
2.6 kg - 5.7 lbs
10 kg - 22 lbs



extension
material
dimensions
weight

ref. HR80
black anodized aluminium
110 x 72 x 74.7 mm - 4 x 3 x 3 inch
1 kg - 2.2 lbs



extension
material
dimensions
weight

ref. HR150
black anodized aluminium
180 x 72 x 74.7 mm - 7 x 3 x 3 inch
1.1 kg - 2.4 lbs



extension
material
dimensions
weight

ref. HR200
black anodized aluminium
230 x 72 x 74.7 mm - 9 x 3 x 3 inch
1.3 kg - 2.8 lbs



The HR80, HR150 and HR200 manually removable extensions are delivered in a PELICASE filled with high density foam into which an imprint of the extensions is made. It provides a perfect fit for the transport or storage. The HR7 and its extension will work on almost all doors. The extensions are an option when buying the HR7 door-opener.

HR7 ACCESSORIES - CLE/HR7 - BACKPACK RACK



HR7 backpack rack	ref. CLE/HR7
colour	black
transport harness	grey / black nylon
adjustable straps	yes
transport handle	yes
material	black powder coated aluminium alloy
dimensions	595 x 435 x 125 mm - 23 x 17 x 5 inch
weight empty	8.3 kg - 18.3 lbs
weight loaded	24.9 kg - 55 lbs

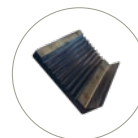
The HR7 is delivered in a PELICASE transport case but it can be replaced by a backpack rack on demand. The LIBERVIT backpack rack is made of black powder coated aluminium alloy and has wide adjustable shoulder straps as well as an abdominal one to provide comfort and stability when carrying it. Each backpack rack has fasteners adapted to the tools it carries.

HR7 ACCESSORIES - PLKIT/ HR7- HR7 plates for PVC doors

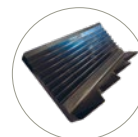
kit PVC doors plates	ref. PLKIT/HR7
delivered in PELICASE transport case	yes, ref VDT/PLKIT
plates included	ref. PRL125/HR7, PRL180/HR7, PRL300/HR7
silica gel cartridge	qty 1, used to prevent humidity
case dimensions	470 x 357 x 176 mm - 18.5 x 14 x 7 inch
weight empty	3.2 kg - 6.5 lbs
weight loaded	13.4 kg - 28 lbs



plates	ref. PRL125/HR7
dimensions	90 x 125 x 60 mm - 3.5 x 5 x 2.5 inch
plate weight	1.1 Kg - 2.6 lbs
quantity	2 plates



plates	PRL180/HR7
dimensions	90 x 180 x 70 mm - 3 x 7 x 2 inch
plate weight	1.6 kg - 3.5 lbs
quantity	2 plates



plates	ref. PRL300/HR7
dimensions	70 x 300 x 40 mm - 2 x 12 x 2 inch
plate weight	2.05 kg - 4.5 lbs
quantity	2 plates



The special PVC doors plates are manually removable and are packed in a PELICASE. The PRL125/HR7 anti-slip with hook plate is placed between the door and the door frame to guarantee an extra grip for the jack while pushing. The PRL180/HR7 and the PRL300/HR7 have the same function with different dimensions. The PRL300/HR7 is mainly used with doors framed by decoration mouldings. The PLKIT/HR7 is an option when buying a HR7 hydraulic door-opener.





B.A.S. superlight – hydraulic power unit

power supply all the LIBERVIT hydraulic tools from the LIBERVIT BLACKline and LIBERVIT DEFENSE ranges.



B.A.S. superlight



Compact, light and silent the B.A.S. hydraulic unit power supplies all the LIBERVIT hydraulic tools from the LIBERVIT BLACKline and LIBERVIT DEFENSE ranges.

Transportable on the back, with a shoulder strap or by hand you will be able to evolve in difficult access area while keeping your hands free.

A dashboard protected by a removable flap provides access to the start-up switch as well as to the battery charge status indicator.

The B.A.S hydraulic power unit has an integrated 1.5 m hydraulic hose and a 48V lithium battery offering 120 minutes of working time to a tool.

Functions and accessories within the next pages.



B.A.S. superlight hydraulic power unit

TECHNICAL CHARACTERISTICS

hydraulic power unit	ref. B.A.S. superlight
service pressure	300 bar
oil tank capacity	1.24 L - 42 fl oz
outer-shell	Cordura® soft shell (1100 Den)
closing	YKK® water repellent zipper
IP index	IP64
shoulder and chest straps buckles	x3 emergency release buckles
available colours	dark grey or olive green or camouflage
carrying means	back / handheld / shoulder strap
molle® system	yes
left side removable pocket	qty 1, ref. PA1/BSL
lifting ring	at the unit back to lift, air lift, lever, hang
use & storage	T360° multi-position technology
integrated hydraulic hose	1.50 m - 5 ft
hydraulic hose casing	yes
decibels	48 dB*
power supply	qty 1, LIBERVIT 48 V Lithium battery, ref. BI-ION48
autonomy	120 minutes of tool action**
battery removal	manually
battery maximum charging time	35 min (100% charge)
battery charge indicator	yes
auto-shutdown	yes, after 4 hours non-use (auto-shutdown adjustable & can be disabled)
LIBERVIT automatic charger	qty 1, ref. CB-ION48
convertible hand radio remote	qty 1, with molle® system sleeve
power supply cable length	3 m - 10 ft
radio remote range	30 m - 99 ft
connected unit	LIBERVIT Connected app on Google Play & Huawei store (deactivatable Bluetooth)
dimensions	280 x 230 x 390 mm - 11 x 9 x 15.5 inch
weight	11 kg - 24 lbs***

* test done at a 5 m distance

** test done at a 150 bar average pressure

*** ready to use without portage means

ACCESSORIES

interactive radio remote wristband	on option, ref. BRI
cross body shoulder strap	on option, ref. BAS/EPM
peripherals transport bag	on option, ref. STP/BSL
extreme conditions sleeve	on option, ref. HCE/BSL
spare removable pocket	on option, right side (R) : ref. PA2/BSL
spare lithium battery	on option, ref. BI-ION48
magnetic kit	on option, ref. KM/BSL
hook kit	on option, ref. KC/BSL
transport bag	on option, ref. VDT/BSL

On option, the B.A.S. superlight unit, its charger and radio remote can be packed in a solid case.

PELICASE® transport case	ref. VDT/BSL (LIBERVIT BLACKline)	ref. VLD/BSL (LIBERVIT Défense)
available colours	black	olive green
telescopic handle	yes	yes
wheels	yes	yes
dimensions	630 x 510 x 300 mm - 25 x 20 x 12 inch	795 x 518 x 310 mm - 31 x 20 x 12 inch
weight empty	10.5 kg - 23 lbs	13 kg - 28 lbs
case loaded	24.5 kg - 54 lbs	27 kg - 59 lbs

B.A.S. superlight hydraulic power unit can supply :

The B.A.S. superlight hydraulic power unit supplies all the tools from the LIBERVIT BLACKline and LIBERVIT DEFENSE ranges. We designed this unit with in mind the fact that we wanted it to power supply all our latest tools but also all the LIBERVIT tools manufactured these last 20 years.



spreaders



cutters



jacks



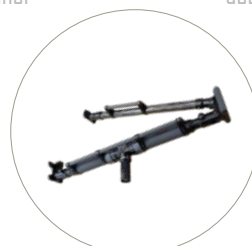
EX50 door opener



OP series
door opener



mid range HR7
door opener



VE70-L
high performance
door opener

LIBERVIT

TECHNICAL DATAS



A dashboard protected by a removable flap provides access to the start-up switch as well as to the battery charge status indicator.



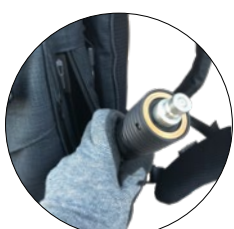
The B.A.S. hydraulic power unit has a 48V lithium battery, giving an average autonomy of 120 minutes in tool action.



The hydraulic power unit is supplied as standard with a hand remote control, wired / wireless convertible, usable at 3 m distance in wired configuration and at 30m distance in wireless configuration.



The use of wired or radio remote control makes it possible, in the event of a trapped door or an armed assailant, to activate the hydraulic power unit while maintaining an essential safety distance. The remote control has a battery charge status indicator. They have long-lasting rechargeable batteries and can be recharged by simply connecting the remote control to the hydraulic unit without requiring a mains supply.



A 1.5 meters hydraulic hose is permanently stored in a dedicated compartment, just open it to extract the hose. The compartment has 2 openings giving you the choice to extract it from left or right.



To protect the battery and increase its autonomy we have fitted the B.A.S superlight unit with an auto-shutdown technology. The auto-shutdown kicks in after 4 hours of non-use. The auto-shutdown can be disabled through the LIBERVIT app and it can be set to a 1 to 8 hours period.



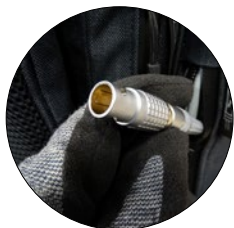
With the T360 technology developed by LIBERVIT, the B.A.S. superlight hydraulic power unit can be used and stored in all positions, while retaining all of its performance.



Removable and washable the B.A.S superlight hydraulic power unit' outer shell is made of multi-layered padded Cordura (1100 Den) and is IP64. It is also fitted with water-repellent zippers and anti-noise partitions.



Foldable a lifting ring at the back of the unit offers a 100% reliable anchor point to lift, air lift and hang..



The integrated wire charges: the lithium battery via the charger as well as the remote-control battery.



The B.A.S superlight hydraulic power unit does not exceed the 45 dB at 5 m.




The LIBERVIT connected application available on the Google Play & Huawei stores will enable you to diagnose your hydraulic power unit and will also indicate: the battery charge status, the number of charges / discharges already done, the oil level, the engine running status, the radio remotes functioning as well as the battery charger, the tool's effort produced and many more useful information.

BI-ION 48 battery's ballistic tests report for operators' safety



As we aim to provide quality and safety for our users, we've conducted some ballistic impacts tests on our LIBERVIT B.A.S. superlight powered by a Lithium battery ref: BI-ION48. This exhaustive report will give you information on the pros & cons of our batteries. We will keep working hard to improve our equipment and maintain the quality you already know as well as increasing as much as possible our users' safety.

Ballistic impacts tests executed with the arms and calibers listed below:



HK G36
Fusil automatique

223 Remington
Cal. 5.56 OTAN



HK 417
Fusil automatique

308 Winchester
Cal. 7.62 OTAN

OBJECTIVE :

Point out potentially dangerous risks, momentary and/or persistent: (explosion/projection/flamable).

TESTS :

1- Automatic rifle HK417: cal 7.62 OTAN, 308 Winchester, 50 m/164 ft shot :

Instant reaction: white smoke, sparks.

Delayed reaction: after +/- 15 mn, no flame, no flow.

Battery visual aspect: perforated from side to side.

2- Automatic rifle M4: cal 5.56 OTAN, 223 Remington, 50 m/164 ft shot :

Instant reaction: white smoke, no sparks.

Delayed reaction: after +/- 15 mn, no flame, no flow.

Battery visual aspect: perforated from side to side.

3- automatic rifle HK G36: cal 5.56 OTAN, 223 Remington and HK417: cal 7.62 OTAN, 308 Winchester 5 m shot:

Instant reaction: white smoke, no sparks.

Delayed reaction: after +/- 15mn. : no flame, no flow

Battery visual aspect: perforated from side to side



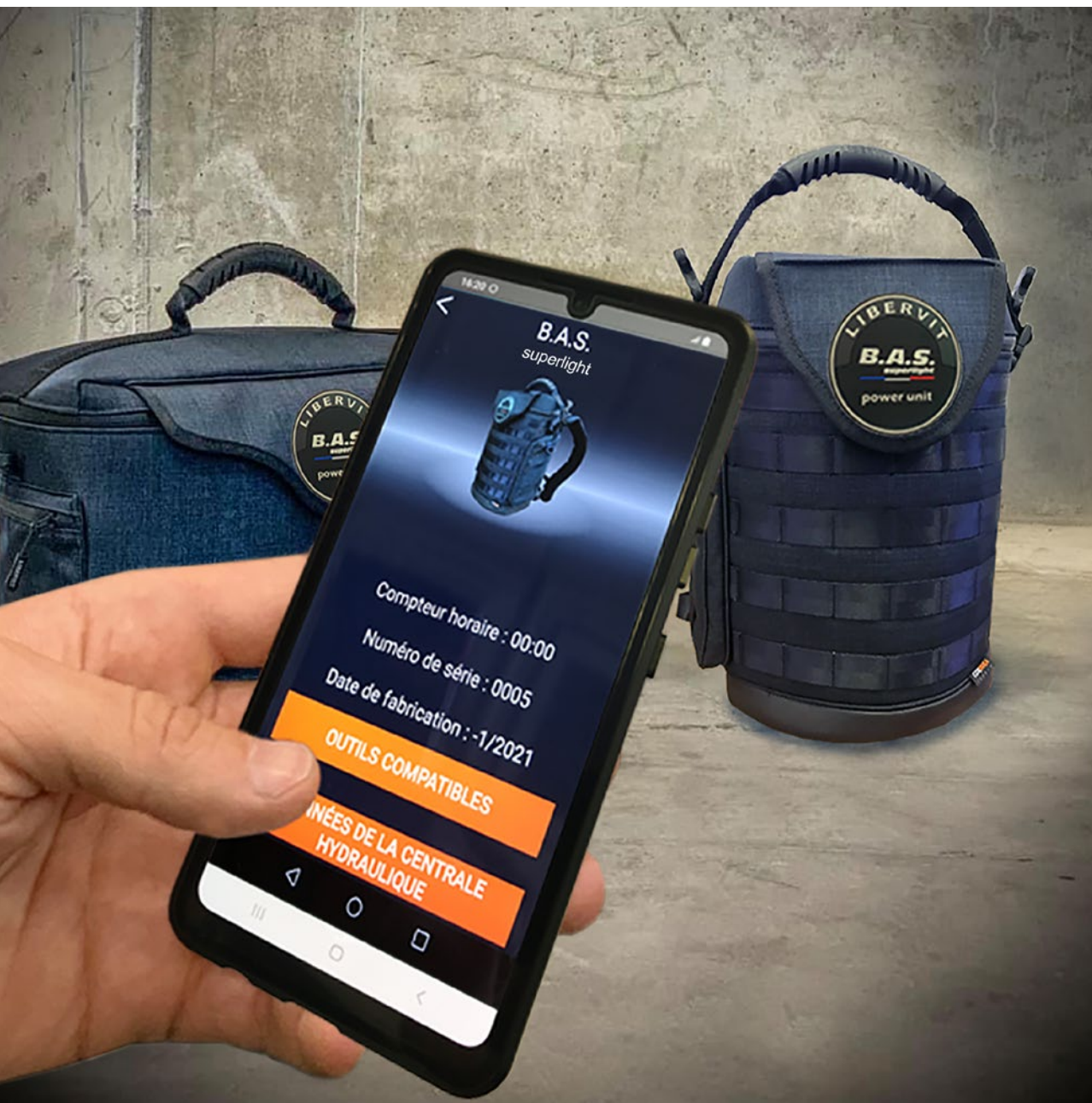
CONCLUSION :

The different ballistic tests executed gave us the opportunity to find out the damages and their consequences done to a LIBERVIT BI-ION48 battery when shot at. All the batteries have been perforated from side to side generating white smoke but no flame and no flow and no explosion has been witnessed.

THE USE OF LIBERVIT POWER UNITS IS EXPLOSION AND BURST RISK FREE UNLIKE EQUIPMENTS USING AIR COMPRESSED BOTTLES.

LIBERVIT Connected

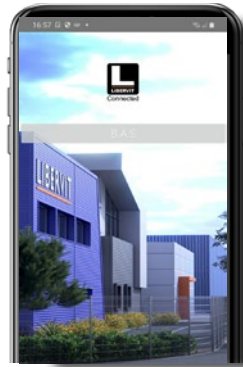
complete hydraulic power unit diagnosis via the LIBERVIT connected app.





Bluetooth

LIBERVIT Connected



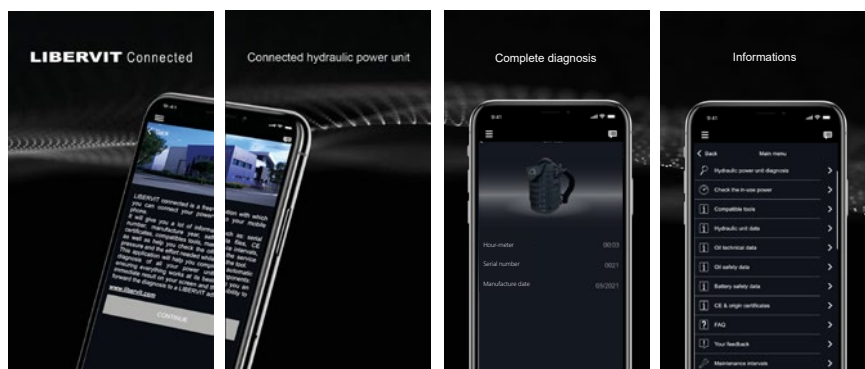
To ease as much as possible our units' preventive maintenance, the B.A.S. superlight unit is delivered in series with a receiving and transmitting data system that all users can access on their smart phone to perform a complete diagnosis of their equipment. The Application LIBERVIT connected can be downloaded from the Google or Huawei store.

- The diagnostic indicates:
- The battery charge status
- The hydraulic oil level
- The engine condition
- The hydraulic pressure
- The radio remotes condition
- The battery charger condition
- The tool's effort (in use with the unit)
- And much more

You will be able to send an email directly from your phone to our technical department with the diagnosis. Our technicians will be able to read the data and act accordingly if a maintenance or repair is needed and help you if it is possible through our Hotline.

 > AFTER SALES SERVICE : aftersales@libervit.com

 **AFTER-SALES**
TOLL FREE **0 805 385 123**







INTERACTIVE RADIO REMOTE WRISTBAND

on option, the interactive radio remote wristband activates the B.A.S. superlight hydraulic power unit from a distance.





BRI

The interactive radio remote wristband activates the B.A.S.superlight hydraulic power unit from a distance (maximum range: 30 m). the tool's effort in action in real time is also visible on the screen.

Its waterproof (IP64) touch screen indicates the radio signal, the battery level (10h autonomy in use) , the date and time. The wristband also benefits from a red LED (added light – ON or OFF) and a USB-C port to charge it.

You can check whether the auto-shutdown is activated or not.

Activate or disable the auto-shutdown from the LIBERVIT Connected App.



TECHNICAL CHARACTERISTICS

Interactive radio remote wristband	ref. BRI
Radio communication :	works with LIBERVIT B.A.S. & B.A.S. superlight power units a range of 30 m
datas :	real time tool's effort in % radio signal level battery level (BRI + BAS superlight) ASD (unit Auto-shutdown) activated / disabled hours/ date
functions :	unit activation visualization of the tool's power used in % red LED (ON/OFF) USB-C port to charge the BRI
screen lighting	high and low screen brightness
battery	LiPo 3.7 V - autonomie 10h
waterproof	yes, IP64
wristband	50mm adjustable strap with Velcro
dimensions	90 x 30 mm - 3.5 x 1 inch
weight	80 g - 3 oz

B.A.S. superlight power unit's accessories

on option are available some accessories for the B.A.S. superlight





CROSS BODY SHOULDER STRAP

Ref: BAS/EPM

The cross body shoulder strap fits on the power unit in place of the shoulder pads with safety buckle for quick ejection and a securing harness for light door openers (available colours : dark grey or olive green or camouflage).



RIGHT SIDE REMOVABLE POCKET

Ref: PAZ/BSL

Right spare side removable pocket to fit on the B.A.S. superlight power unit body (available colours : dark grey or olive green or camouflage).



PERIPHERALS TRANSPORT BAG

Ref: STP/BSL

The B.A.S. superlight peripherals can be protected and stored in a transport bag: handle, shoulder straps, strap, backrest, battery charger, radio remotes and an extra battery (available colours : dark grey or olive green or camouflage).



MAGNETIC KIT

Ref: KM/BSL

With the magnetic kit you can free yourself from the unit weight and plate it against any metallic surface.



HOOK KIT

Ref: KC/BSL

To hang the B.A.S. superlight unit when it cannot be left on the floor.



EXTREME CONDITION SLEEVE

Ref: HCE/BSL

It will protect your B.A.S. superlight unit from extreme weather conditions such as heavy rain, sandstorm, etc delivered in a pouch adaptable on the molle system or by carabiner.



PELICASE® TRANSPORT CASE

Ref: VDT/BSL (LIBERVIT BLACKline) or ref: VDT/BSL (LIBERVIT Défense)

(available colours : black or olive green)

The B.A.S. superlight unit, its battery charger and the radio remotes can be packed in a in a waterproof case. The VDT/BAS is fitted with a high density black foam in which an imprint of the tool has been made to keep it secure during transport or storage.

We use the PELICASE® brand for its quality and reliability. Our cases all meet the military and air transport norms, have wheels and a foldable handle.



> **QUOTATIONS** : quotations@libervit.com



> **ORDERS** : orders@libervit.com



> **AFTER SALES SERVICE** : aftersales@libervit.com



libervit.com



gallery-libervit.com

We have tried to be as thorough as possible in the making of this document. However, some information might be incomplete or incorrect. LIBERVIT SAS cannot in anyway be held responsible for any of the consequences these errors could have.

If in doubt about some of the information rightness please contact our communication service through e-mail: communication@libervit.com

This document cannot be reproduce in part or entirely, be edited or distributed to the public without an authorization from LIBERVIT.

LIBERVIT - Espace Polygone - 218 rue Ettore Bugatti - 66000 Perpignan - FRANCE
Phone : +33 (0)4 68 50 05 25 - Fax : +33 (0)4 68 66 98 97 - courrier@libervit.com
www.libervit.com

