



M60 - URU Beam Clamp

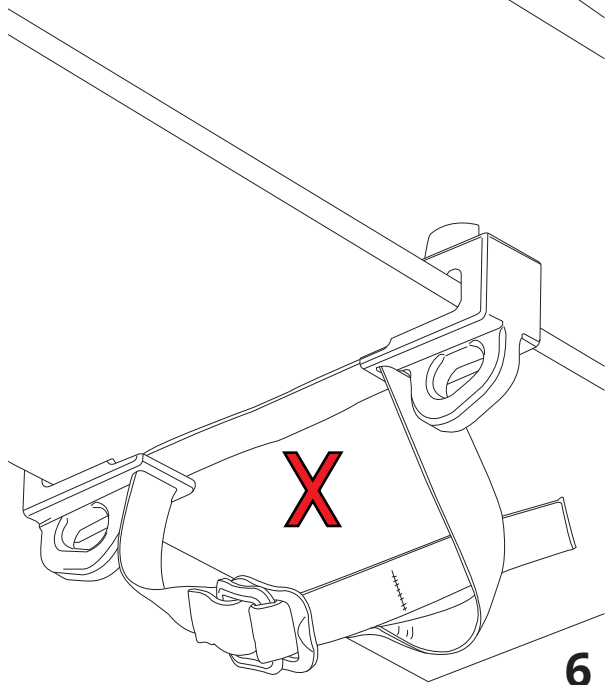
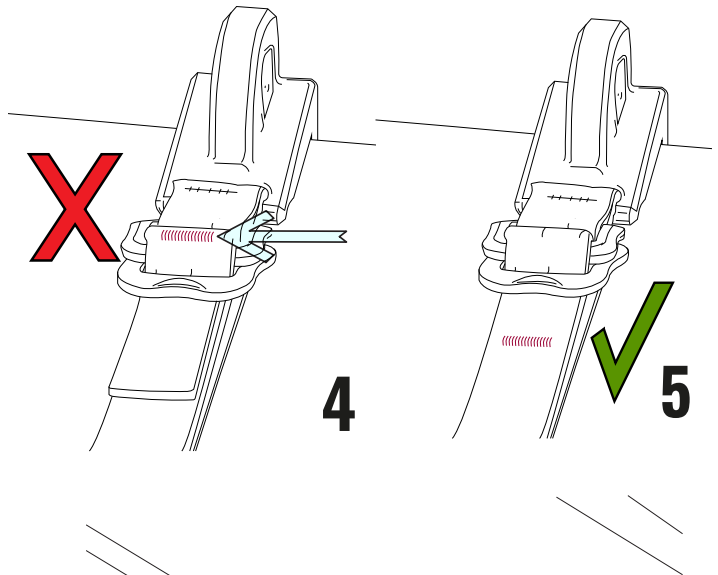
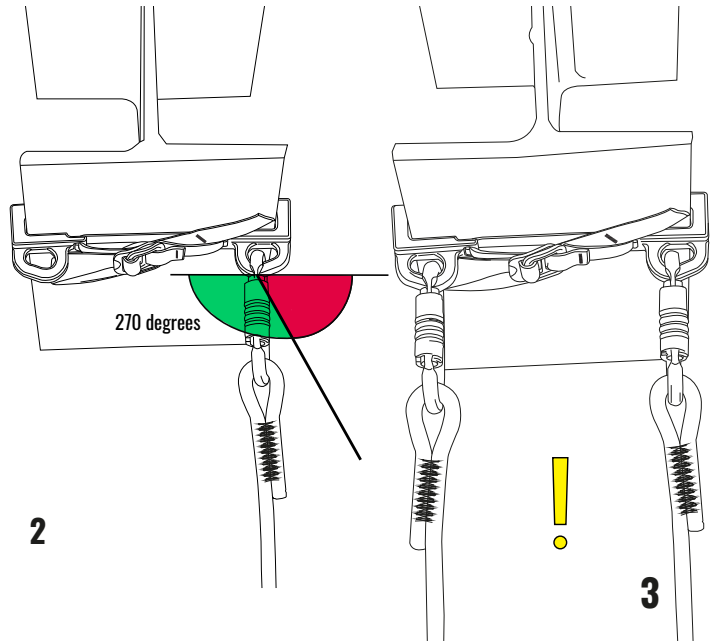
Patent Pending
Made in Canada from a solid block of Aluminium



Markings and/or symbols

EYOLF URU
M60 - Beam Clamp
 Patent Pending
 MBS: 1) 15kN - 3600lbf
 2) 22kN - 5000lbf
 Batch: 10174 11-2020
 Read the manual

EYOLF: name of the manufacturer
 M60 URU Beam Clamp: name of device
 MBS: Minimum Breaking Strength declared
 11-2020: month and year of manufacturing
 Batch 10174 (example): serial number
 Pictogram that advices to read instructions



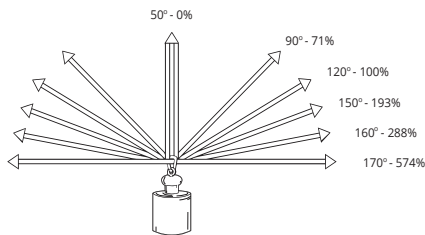
Maintenance

Storage

Important info

Inspection & repairs

Questions



1

EYOLF Inc.
 PO Box 418
 Fergus ON
 N1M3E2 Canada
 Tel: +1 519 787 1581
 Email: info@eyolf.ca
 www.eyolf.ca

Product specific information

The URU Beam Clamp has been designed to create anchor points on steel I-beams. They are designed and tested to work with fall protection systems and specifically developed for rope access.

Diagram 1: Rigging angles, sharing the two anchor eyes can help with increasing security and strength. As long as you stay within 120 degrees. Beyond you will be multiplying your rating, see diagram.

Diagram 2: Rigging from the beam clamp, stay within the indicated 270 degrees.

Diagram 3: The beam clamp is one system. This is important for rope access rigging as you will need two independent redundant systems.

Diagram 4 & 5: The strap going through the buckle doesn't have a hemped end. Instead we have a red bartack to indicate to not go past the buckle with this red stitched line. Leave the 5 cm - 2 inch of strap at all times.

Diagram 6: Do not leave the strap loose and only rely on the screw bolts to secure the beam clamp onto the beam. It is not needed to use the bolt when using the beam clamp horizontal. The strap however is mandatory at all times.

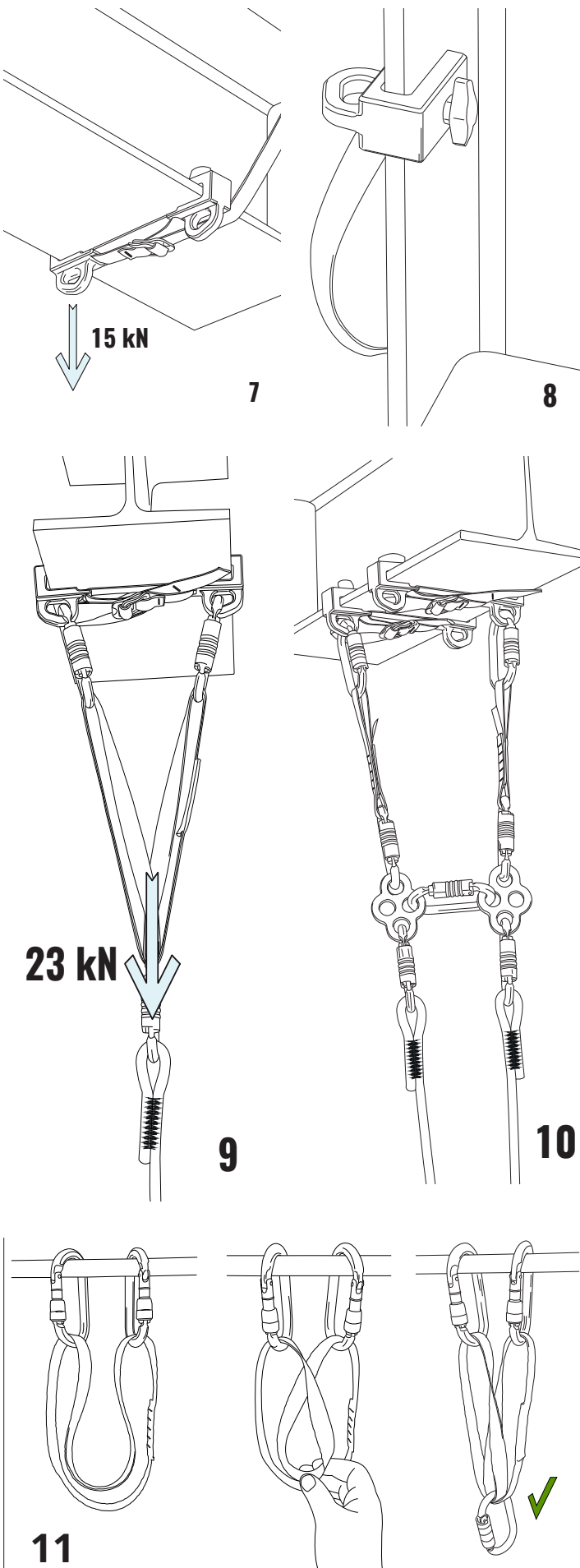
Diagram 7: A single eye is rated for 15 kN - 3500 lb. MBS.

Diagram 8: The beam clamp can be used vertically to install lifelines. In order to prevent the beam clamp from falling we introduced the screw bolt.

Diagram 9: Combining two anchor eyes together you get a MBS of 23 kN - 5000 lb.

Diagram 10: The beam clamp is one system. This is important for rope access rigging as you will need two independent redundant systems as is shown in this drawing.

Diagram 11: When rigging slings as shown in diagram 9 make sure you twist the sling to prevent the carabiner on the rope side from not being attached if one of the sides would be released.



Personal protective equipment against falls from a height.

General requirements for instructions for use, maintenance, periodic examination, repair, marking and packaging as per EN 365:2004

Thank you for using an Eyolf product. We have done everything possible to ensure that the information provided in this manual is accurate at the time of publication. However, we do not guarantee that this information will remain up to date, as many products and techniques change over time.

Mountaineering, climbing, caving, working at height and other related activities are inherent dangerous due to outside factors and hidden risks. Not understanding, taking precautions and eliminating these risks can lead to serious injuries and death.

If in doubt do not use the product!

Contact us if you have any questions or concerns.

Warning

Medical condition

It should be understood that working at height and the use of equipment to do so, involves a certain amount of physical and mental exertion. Certain medical conditions are a definite contra-indication to the safe use of the equipment and working at height.

Training

Training and assessment of competency are essential before use of this product. Users must be aware of the limitations, precautions and the dangers of misuse.

Risk assessment - rescue plan

A risk evaluation and a quick response rescue plan should be in place prior to any activities at height. For instance that, if the risk assessment carried out before the start of work shows that loading in the case of a use over an edge is possible, appropriate precautions should be taken. Also to deal with any emergencies that could arise during the work/exercise. Relying upon a local emergency rescue team is not a rescue plan and could get you in severe trouble as they might not be capable or take too long to perform a rescue. Have a suitable rescue plan in place!

Repairs

Do not make any alternations or additions to the product without the manufacturer's prior written consent. Repairs shall only be carried out in accordance with manufacturer's procedures. Without consent any repair or alterations should be done by the manufacturer.

Intended use

The product has been tested for specific use, do not use the product other than indicated without the consent of the manufacturer.

PPE

PPE stands for Personal Protective Equipment and in case of this product this means it should be provided to an individual user.

Strengths

Strengths quoted are when the product is tested new and are in accordance with the manufacturers test methods or to the appropriate standard. Any weights and measurements are approximate.

Compatibility

Make sure that each item in an assembly can be used together and work as a system. Compatibility needs to be checked prior to use. Check individual manuals for each item and see if they can be used together.

Safe use

When working at height or other related activities such as rope access: never rely on a single piece of equipment always make sure you have an equal redundant back-up system.

Do not fall into the beam clamp directly without any energy absorbance.

Minimize a fall at all times, check your fall factors and the equipment your using to see if it can survive the impact. See drawing on fall factors.

Use in extreme environment

Use of any PPE in extreme environments can be dangerous. It is important to do appropriate testing before the use of our products in environments such as extreme cold or high temperatures (working temperatures are -30 degrees up to 60 degree Celsius), chemicals, dust, sand and other foreign materials, electrical power, grinding and chafing should be avoided, if you have any questions contact us and we can help you determine the effects.

Inspection

An examination should be carried out before the product is put into service.

Periodic examinations should takes place at least once a year, taking into account factors such as legisla-tion, equipment type, frequency of use, and environmental conditions.

A periodic exam should be carried out by a competent person.

Before each use visually inspect to ensure the product is in serviceable condition and operates correctly. If any compromises are found do not use the product and retire it.

If the product has been used to arrest a fall, withdrawn from use immediately! Do not use again until, in writing, a competent person says it is acceptable for use.

A pre-use check by the user may not be applicable if the user is under supervision of a competent person or in the case it is used for emergency use which have been pre-packed or sealed by a competent person.

When carrying out an inspection pay attention to the following items:

Check the label / marking (visible, legible, age)

Check webbing (cuts, burns, wear, chemical marks, crushed, other damage)

Check stitching (cut, worn, coloured or disordered threads)

Check aluminium components (deformation, cracks, wear, corrosion, marks)

Check compatibility of connector

Check condition of protective components

Safety of users depends upon the continued efficiency and durability of the equipment.

Maintenance

Always keep the product clean and dry. Any excess moisture should be removed with a clean, dry cloth and then allowed to dry naturally in a warm room away from direct heat.

Rinse in clean cold water. If still soiled wash in clean warm water (max. 40°C) with a soft detergent (with-in pH range of 5.5 to 8.5). You can use a front loading washing machine but first place the product in a washing bag to protect against mechanical damage. Rinse properly in clean cold water and if needed to disinfect use a solution of water with alcohol. Do not use bleach!

Follow these instructions, if in doubt about the disinfecting method please contact us for further details.

Lubrication

When lubrication is needed a silicon or Teflon based spray can be used. Do not excessively spray the lubricant over the buckle or gate. Wipe off any excess and protect any webbing or rope from being sprayed.

Storage - Transportation

After cleaning, store unpacked in a cool, dry, and dark place away from direct sunlight, as UV will cause damage to the webbing over time, excessive heat sources, sharp edges, vibration or other possible causes of damage. Do not store when wet or in a damp area >70%. If a long shelf life is required it is advisable to store in a moisture proof package, like a polyethylene bag.

Lifespan

This is difficult to estimate but we advise as follows: Do not use the strap more than ten years after the date of manufacture. Assuming you have used the correct storage, the working life can vary from a ten year span to a single use in extreme circumstances (e.g. highly chemical environment, serious fall, etc.). UV light including sunlight will reduce the working life. Contact us for a replacement strap. Aluminium body of the beam clamp does not have a lifespan.

Anchoring

Any fall arrest anchorage used should be able to withstand a force of 22kN when not certified or withstand at least two times the Maximum Arrest Force when engineered.

Do not create slack in the system and avoid any pendulum effect / swing during a fall.

Ideally the user should be attached to the anchor as vertically as possible.

For work positioning, restraint and rescue we advise the anchor at least hold 12kN of force for every person/device attached to it. (Load sharing is an option)

When connecting to an anchor device or structure use a suitable form of connector complying with EN 362, either with a shock absorbers, complying with EN 355, a lanyard, complying with EN 354 or sling and carabiners depending on the situation you are in. Follow the standard EN 795 for anchoring.

Fall clearance

It is important to keep in mind that the flight path is clear from any obstacles when using a fall arresting system. It is essential for safety to verify the free space required beneath the user at the workplace before each occasion of use, so that, in the case of a fall, there will be no collision with the ground.

Calculating the total fall clearance

The fall clearance is the distance required to safely arrest a fall. It is the distance from the anchor to the ground.

Step 1 – calculate the Free Fall (F)

Step 2 – determine from the label how much the shock absorber deploys (D)

Step 3 – determine the stretch of the harness (H)

Step 4 - add a safety factor of 2m (S)

Step 5 - add all figures together to get the clearance (C)

$$C=F+D+H+S$$

Country of destination

It is essential for the safety of the user that if the product is re-sold outside the original country of destination the reseller shall provide instruction for use, for maintenance, for periodic examination and for repair in the language of the country in which the product is to be used.

EN 795:2012 Type B – Beam Anchor

One person

The anchor device is only to be used for one person only under normal working conditions.

MAF 6kN

When the anchor device is used as part of a fall arrest system, the user shall be equipped with a means of limiting the maximum dynamic forces exerted on the user during the arrest of a fall, to a maximum of 6kN.

Maximum load

The maximum load that could be transmitted in service from the anchor device to the structure and the directions of loading relevant to the type of fixing and structure are set by the type of usage and work load limit applicable to the situation of use.

Maximum deflection

Under normal loading (WLL 150 kg - 330 lb) there should not be any deflection with regards to the beam clamp.

Guidance on usage

If any I-beam is unstable (e.g. rust, too much paint, bird dropping, vegetation, ice, etc.), do not use this product.

PPE

The beam clamp are only to be used as PPE (Personal Protective Equipment) as part of a fall protection system and cannot be used for lifting and rigging.

Supervision

Under certain circumstances where a person is temporarily using a PPE against falling a competent and/or trained person could supervise the user.

Read the manual and keep it

Keep the user instructions/information accessible as a permanent record on- and off-site. Keep a copy of the manual with the product at all times.

Warranty

Equipment offered by Eyolf Inc. are warranted against factory defects in workmanship and materials for a period of three years from date of installation or use by the owner, provided that this period shall not exceed three years from the date of manufacturing (see label on product). Upon notice in writing, Eyolf Inc. will promptly repair or replace all defective items. Eyolf Inc. reserves the right to elect to have any defective item returned to its plant for inspection before making a repair or replacement. This warranty does not cover equipment damages resulting from abuse, damage in transit, or other damage beyond the control of Eyolf Inc. This warranty applies only to the original purchaser and is only one of applicable to Eyolf products, and is lieu of all other warranties, expressed or implied.