

MACHINED PULLEYS

SPECIFICATIONS

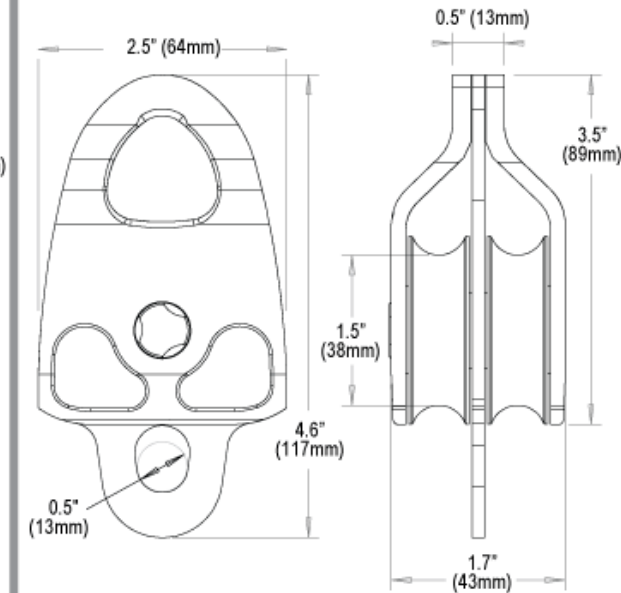
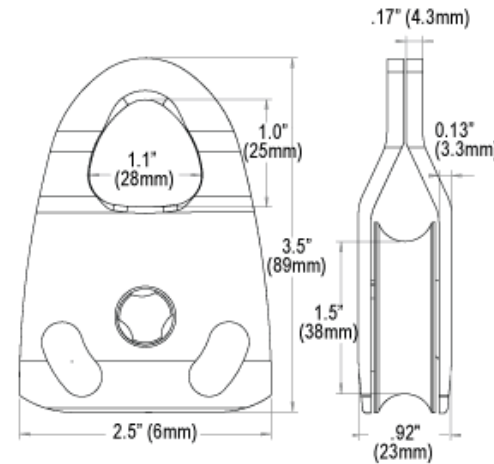
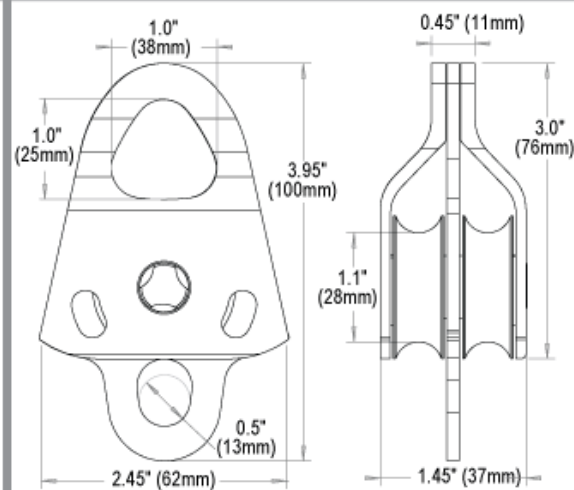
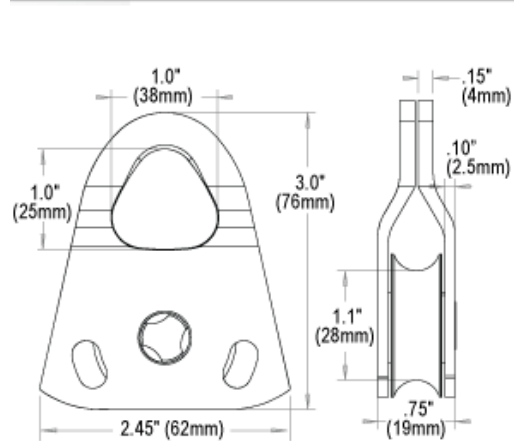


1.1" SINGLE

1.1" DOUBLE

1.5" RESCUE SINGLE

1.5" RESCUE DOUBLE



Mini Machined Pulley (Single)

Part #	P21 / P21-B
Sheave Diameter	1.1" (28mm)
Sheaves	Single
Sheave Material	Aluminum
Available Colors	Standard/Black
Weight	2.9 oz (83 gm)
MBS	2 x 15 kN=30 kN
WLL	2 x 2.5 kN=5 kN
Max Rope	.43" (11mm)
Certification	CE / UIAA

Mini Machined Pulley (Double)

Part #	P21 D / P21 D-B
Sheave Diameter	1.1" (28mm)
Sheaves	Double
Sheave Material	Aluminum
Available Colors	Standard/Black
Weight	5.0 oz (141 gm)
MBS	2 x 9 kN x 2=36 kN
WLL	2 x 2 kN x 2=8 kN
Max Rope	.43" (11mm)
Certification	CE / UIAA

Rescue Pulley (Single)

Part #	P22 / P22-B
Sheave Diameter	1.5" (38mm)
Sheaves	Double
Sheave Material	Aluminum
Available Colors	Standard/Black
Weight	5.1 oz (144 gm)
MBS	2 x 18 kN=36 kN
WLL	2 x 4 kN=8 kN
Max Rope	.5" (13mm)
Certification	CE / UIAA

Rescue Pulley (Double)

Part #	P22 D / P22 D-B
Sheave Diameter	1.5" (38mm)
Sheaves	Double
Sheave Material	Aluminum
Available Colors	Standard/Black
Weight	9.0 oz (254gm)
MBS	4 x 9 kN=36 kN
WLL	4 x 4 kN=18 kN
Max Rope	.5" (13mm)
Certification	CE / UIAA