



WILLY

500 kg | 1100 lbs



User Manual

Safety

Always keep a safe distance between the magnet and the following equipment:

Pacemakers or other electronic life-sustaining equipment	2 m / 7 feet
Other magnets	400 mm / 16 inches
Steel surfaces (except when intentional)	
Sensitive electronic and magnetic equipment such as phones, compasses, stripe cards and hard drives	

Always use two hands to apply the magnet: One holding the housing and the other holding the handle in vertical position. Do not hold your fingers under the magnet.

Be aware that the magnetic holding force may be reduced due to corrosion, paint, uneven steel surfaces, marine growth, steel thickness, alloy type and the pulling angle.

Do not suspend yourself from the magnet or in any other way put yourself in danger should the magnet fail to hold on. Do not suspend objects that might cause injury or damage should the magnet fail to hold on.

Do not regard the magnet as a lifting device. There is no safety factor, Safe Working Load (SWL) or Working Load Limit (WLL) defined for the magnet.

Disclaimer

Under no circumstances will Blumags / Apex Technology AS be held responsible or liable in any way for any claims, damages, losses, expenses, costs or liabilities whatsoever (including, without limitation, any direct or indirect damages for loss of profits or business interruption) resulting or arising directly or indirectly from your use of or inability to use this product.

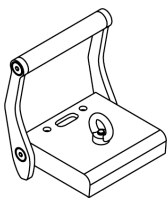
Operation

The handle has three main positions - vertical (A), flat (B) and folded (C).

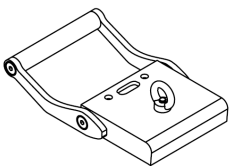
With the handle either flat or folded, the magnet is in full contact with a flat working surface. Folded position may be advantageous in narrow spaces.

In order to remove the magnet, turn the handle to vertical position, and pull it off.

Keep the handle vertical also when applying the magnet, in order to reduce the force of impact.



A



B



C

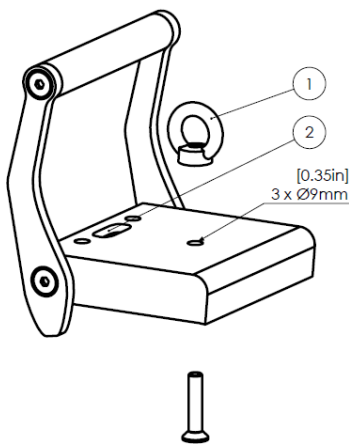


Tool Interfaces

The magnet has two standard interfaces - the M8 eyenut (1) and the slot near the edge (2). Both may be used as fastening points.

The eyenut can be removed in order to use the clearance hole for custom tools and equipment. The bolt is removed with an allen key. Two additional, identical holes exist so that equipment can be fastened with three bolts.

Important! Always have the eyenut or another fastener in place when operating the magnet, in order to avoid that the magnetic core becomes loose over time.

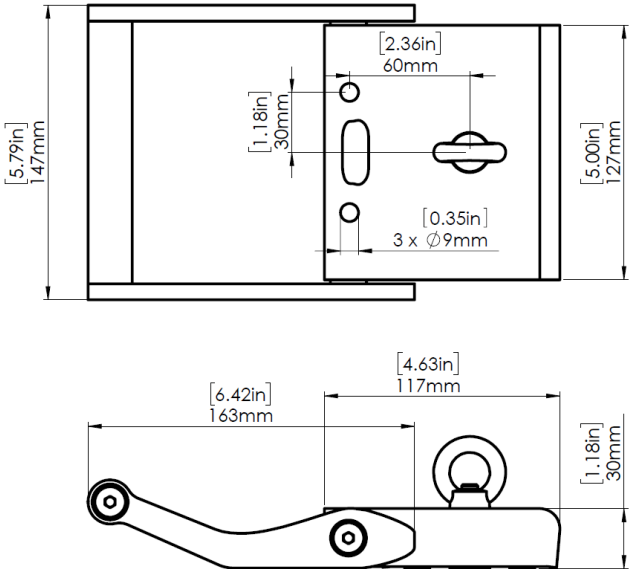


Storage and Preservation

Clean the magnet after each use. Sand and dust mixed with metal particles may be difficult to wipe off, but can be easily removed with pressurized air. Rinse in fresh water to remove salt, and dry afterwards.

Store the magnet in the original box which contains a metal sheet that insulates the magnetic field. As long as the original box is intact, the magnet can be safely shipped by air without restrictions (in accordance with IATA packing instruction 953).

Dimensions & Specifications



Net weight, in air	2.8 kg / 6.2 lbs
Net weight, submerged	2.4 kg / 5.2 lbs
Holding force*	500 kg / 1100 lbs

*Measured perpendicularly from a 30 mm / 1.2 inch mild steel plate

Our Marine Magnets



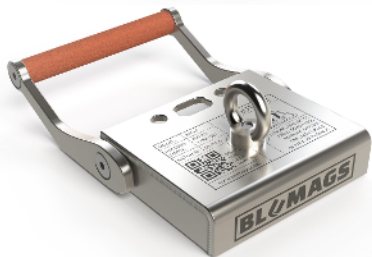
Flipper
100 kg | 220 lbs



Flipper
250 kg | 550 lbs



Willy
500 kg | 1100 lbs



Willy
800 kg | 1750 lbs

The Blumags™ brand is owned by:

Apex Technology AS
Oslo, Norway
Org. No. NO 924 362 170
sales@blumags.com
www.blumags.com

